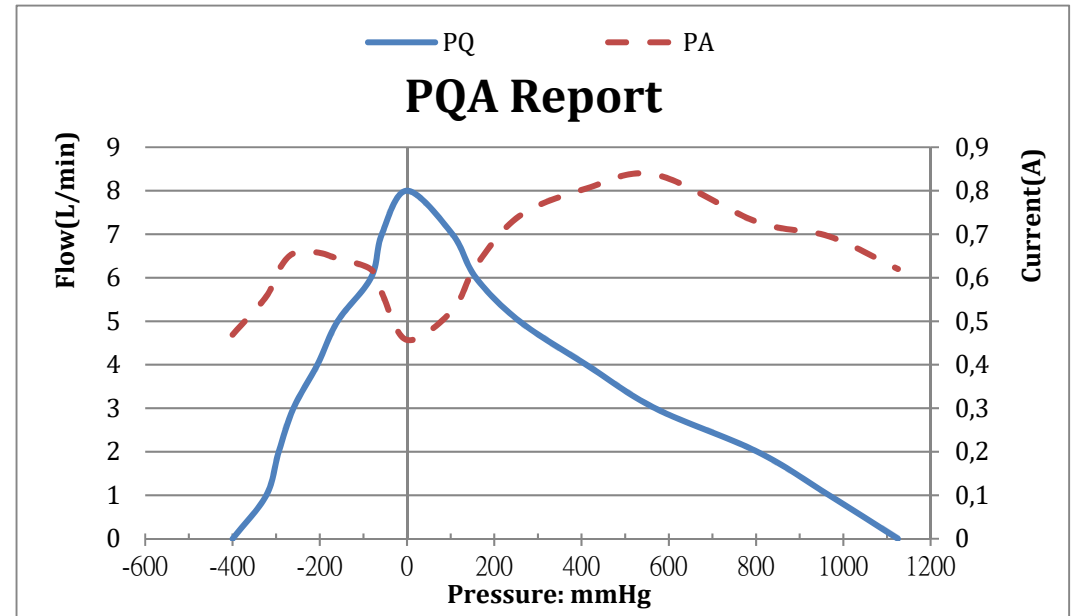
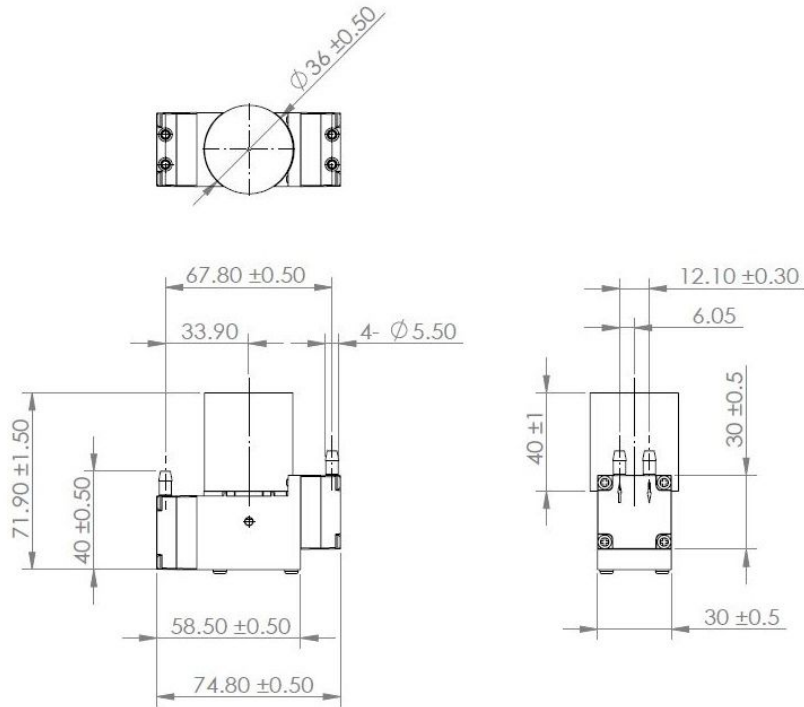


# KDPV36A-12L Diaphragm Air Pump

Product Dimension

Product Performance



## Product Specification

Electrical Properties		Physical Properties		Pneumatic Properties	
Rated Voltage	12.0 V	Max Noise/30cm	78 dB	Max Flow	7.0 L/min
Max Current	1.0 A	Rated Life	10000 hr	Max Pressure	1125 mmHg
				Max Vacuum	-375 mmHg

Unit: mm

\*Remark: The actual performances would vary due to the test conditions and the environment of users.