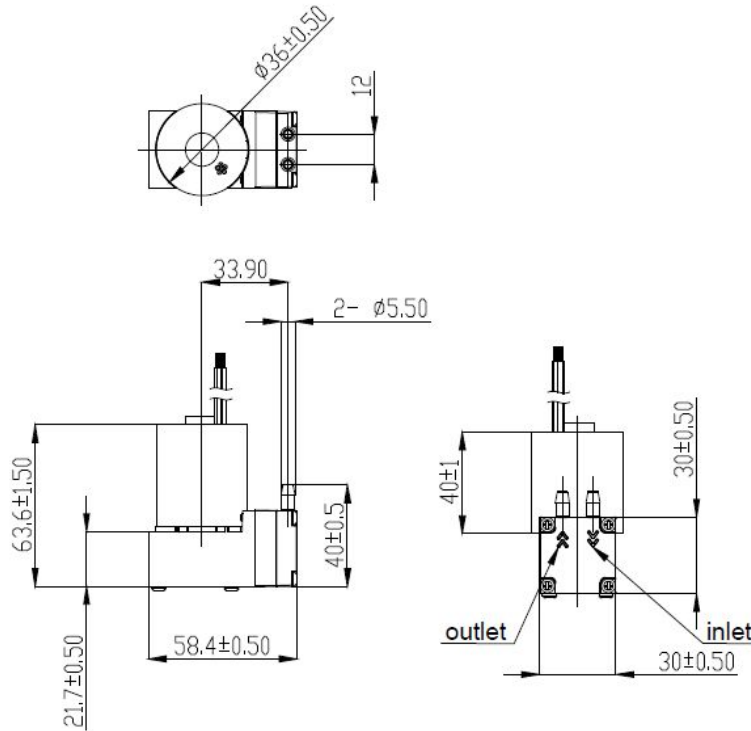


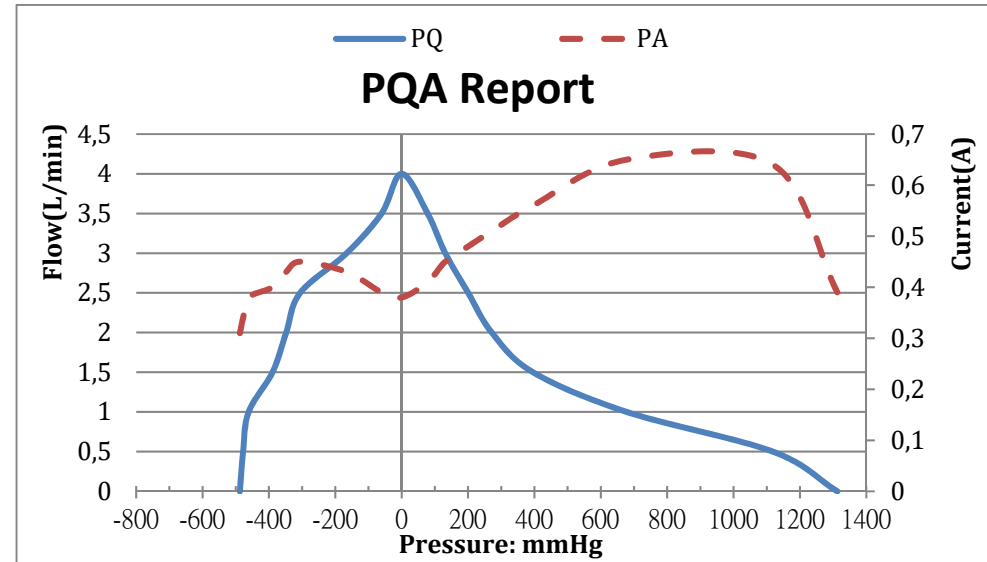
KDPV36B-12L Diaphragm Air Pump

Product Dimension

Product Performance



Unit: mm



Product Specification

Electrical Properties		Physical Properties		Pneumatic Properties	
Rated Voltage	12.0 V	Max Noise/100cm	60 dB	Max Flow	3.5 L/min
Max Current	1.0 A	Rated Life	10000 hr	Max Pressure	1125 mmHg
				Max Vacuum	-375 mmHg

*Remark: The actual performances would vary due to the test conditions and the environment of users.