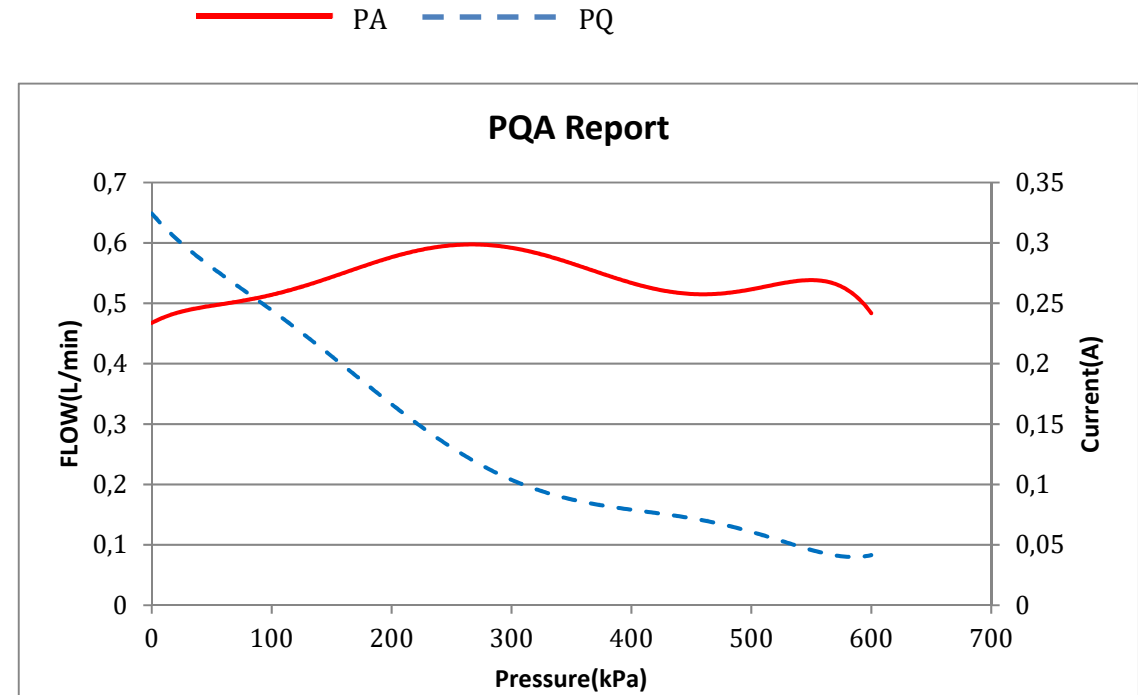
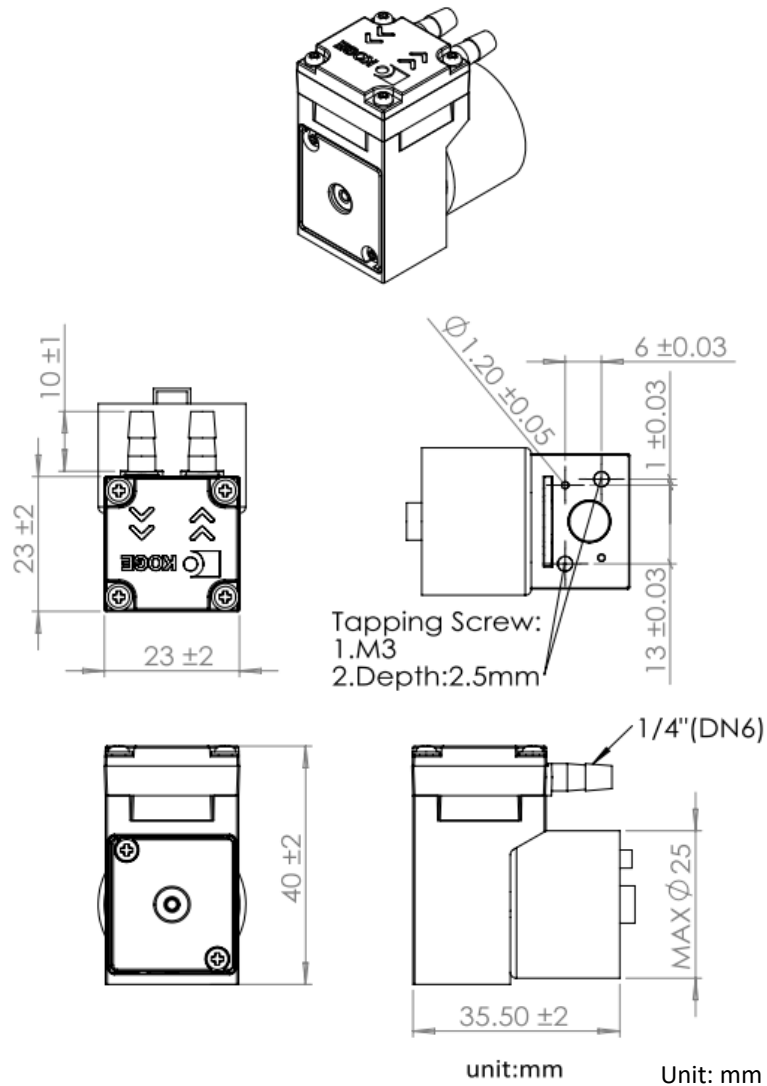


# KDPW25A-24L Diaphragm Liquid pump

## Product Dimension

## Product Performance



## Product Specification

Electrical Properties		Physical Properties		Pneumatic Properties	
Rated Voltage	24.0 V	Max Noise/ 30cm	65 dB	Max Flow	500 ml/min
		Max Noise/100cm	55 dB		
Rated Current	0.3 A	Rated Life	10000 hours	Max Pressure	300 kPa
		(@250ml/min ; 0kPa)		(@ 150ml/min)	

\*Remark: The actual performances would vary due to the test conditions and the environment of users.