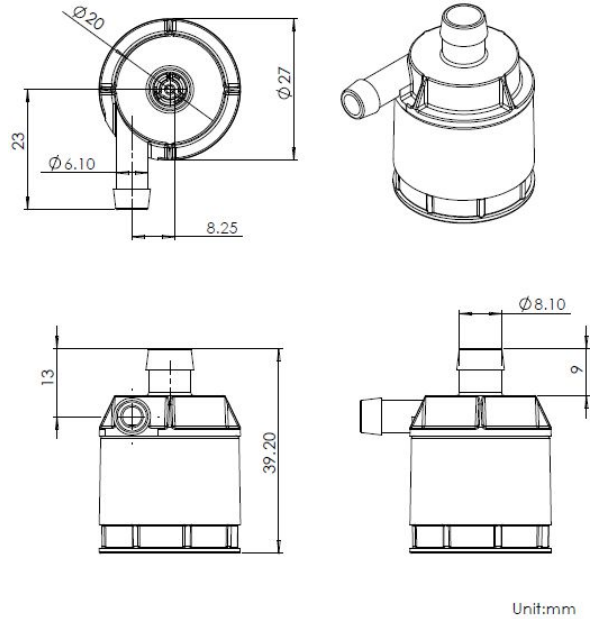


KIPW25A-12L

Product Dimension

Centrifugal Pump

Product Performance

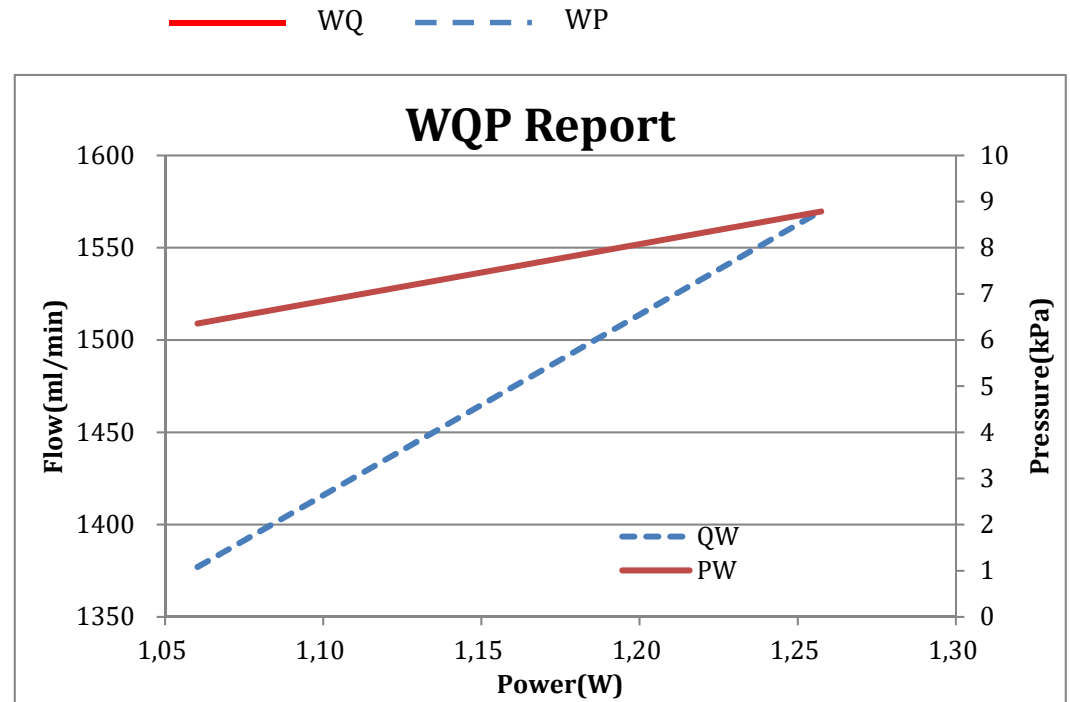


Lead wires and Functions

Red wire : VCC--Motor Working power supply
 Black wire: GND---
 Blue wire: PWM--- Pulse-Width Modulation for Motor speed adjust

Electrical characteristics for Lead Wires

NO.	SIGNAL	I/O	SPECIFICATIONS	NOTE
1	VCC	IN	DC 5V~14V	POWER
2	GND		Power Ground	Power Ground
3	PWM			
	PWM Control, 21K-28K, Typical (25K)			
	Input Voltage Range	IN	0-VCC (21K-28K)	High or OPEN---motor ON
	VPWMH		3.48-3.84V	Low---motor OFF
VPWML	1.71-1.89V			



Product Specification

Electrical Properties		Physical Properties		Pneumatic Properties	
Rated Voltage	12.0 V	Max Noise/ 90cm	<35dB	Max Flow	1500 ml/min
Rated Current	0.15 A	Rated Life	20000 hours	Max Pressure	8 kPa

*Remark: The actual performances would vary due to the test conditions and the environment of users.