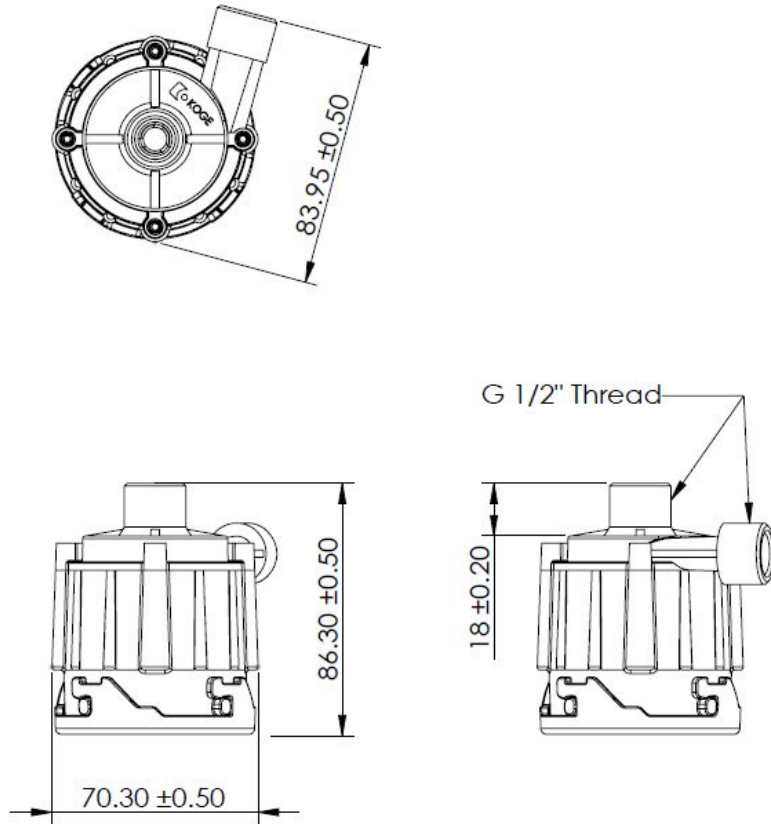


# KIPW60A-12L

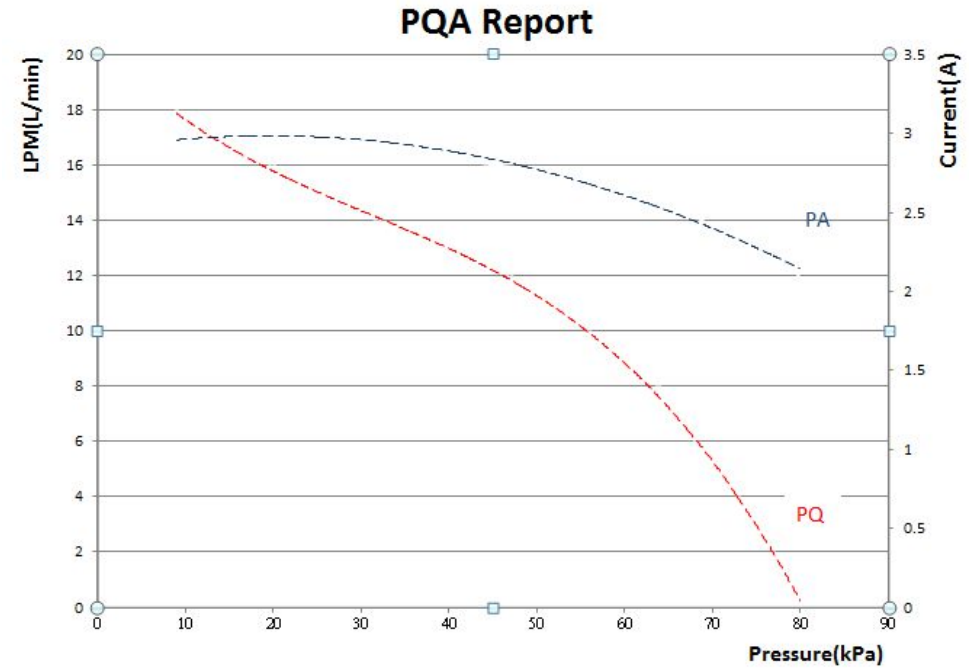
Product Dimension

# Centrifugal pump

Product Performance



Unit: mm



## Product Specification

Electrical Properties		Physical Properties		Pneumatic Properties	
Rated Voltage	12.0 V	Max Noise/100cm	50 dB	Max Flow	18.0 L/min
Max Current	3.0 A	Rated Life	20000 hr	Max Pressure	80 kPa

\*Remark: The actual performances would vary due to the test conditions and the environment of users.