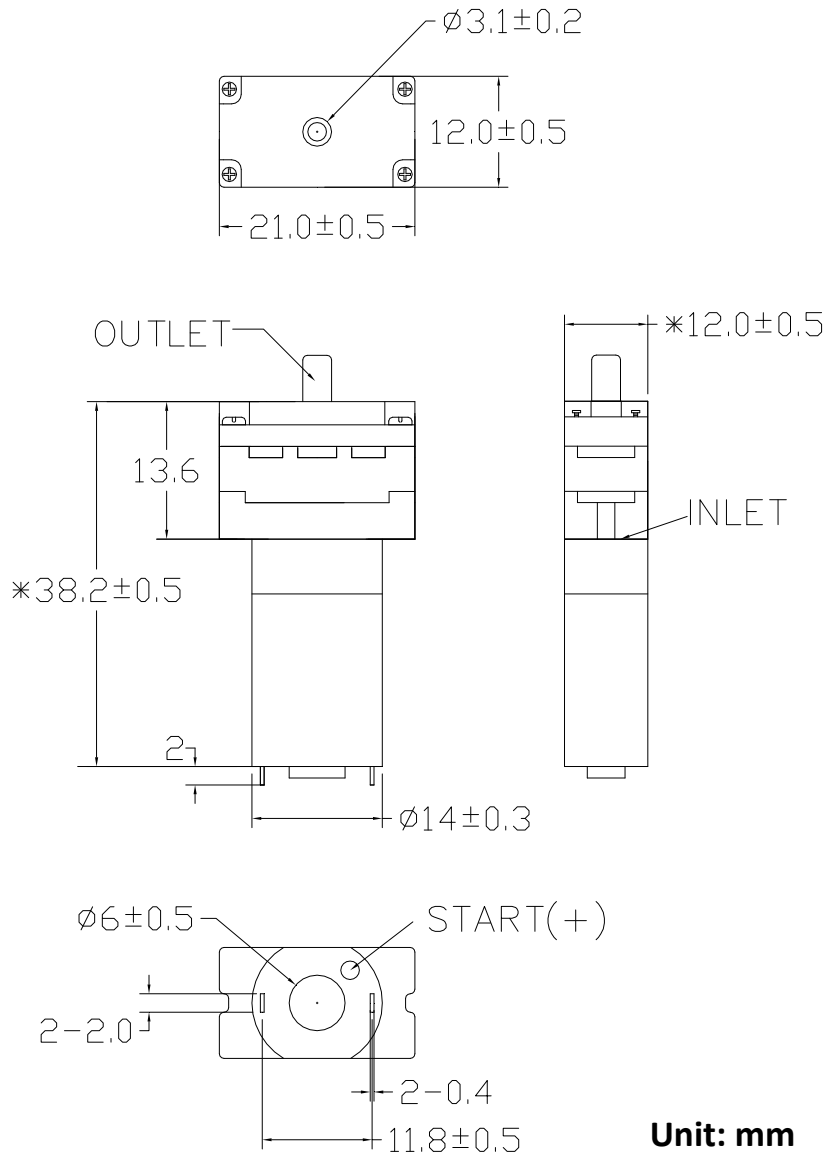
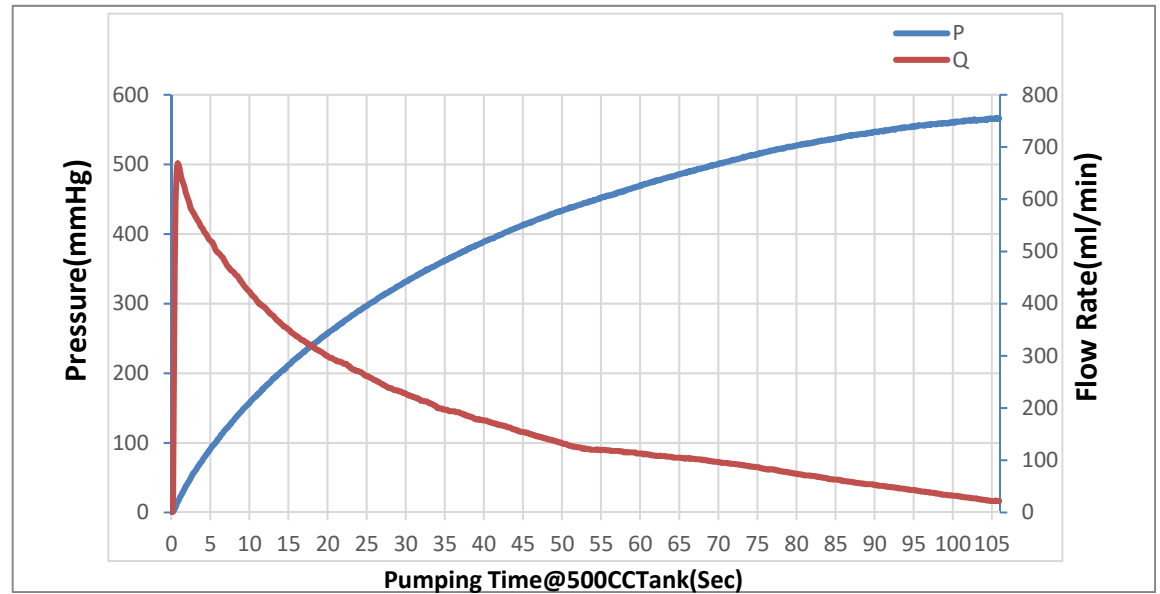


KPM12A Mini Air Pump

Product Dimension



Product Performance



Electrical Properties		Physical Properties		Pneumatic Properties	
Rated Voltage	3.0VDC	Noise	<65dB (A)	Free Flow	>650ml/min
Max Current	<460 mA	RatedLife	30000times	Pressure Range	0~350mmHg