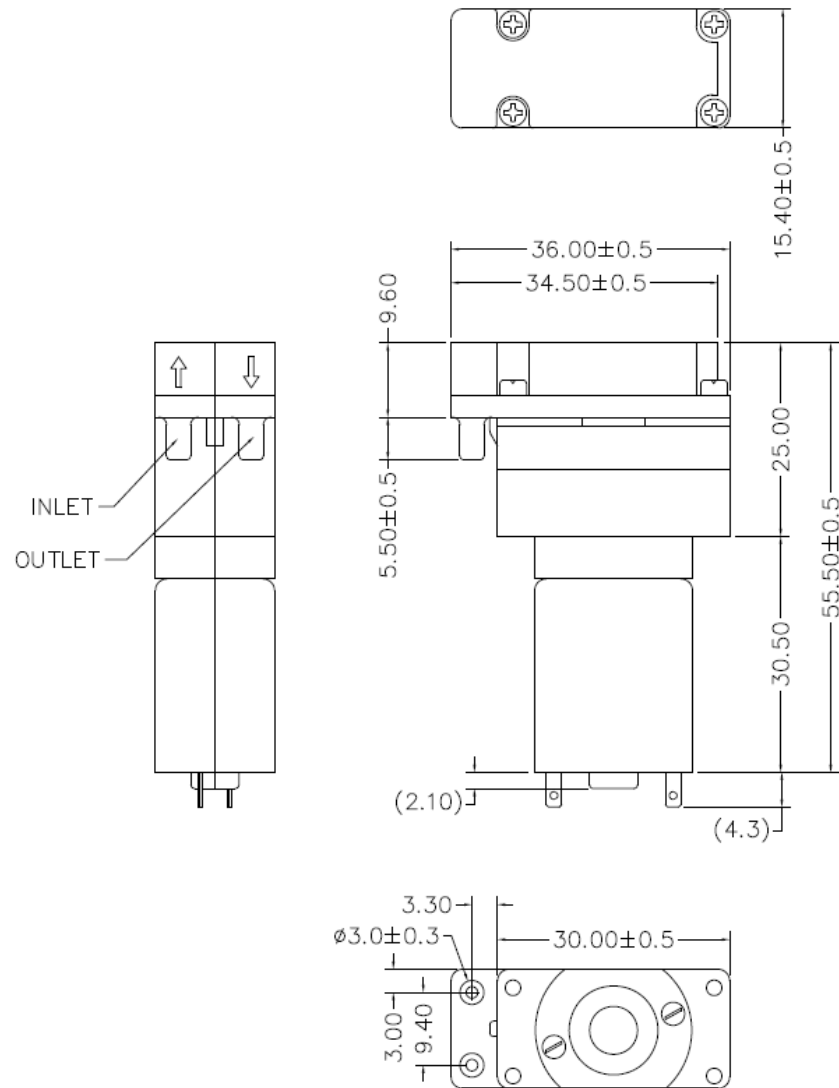


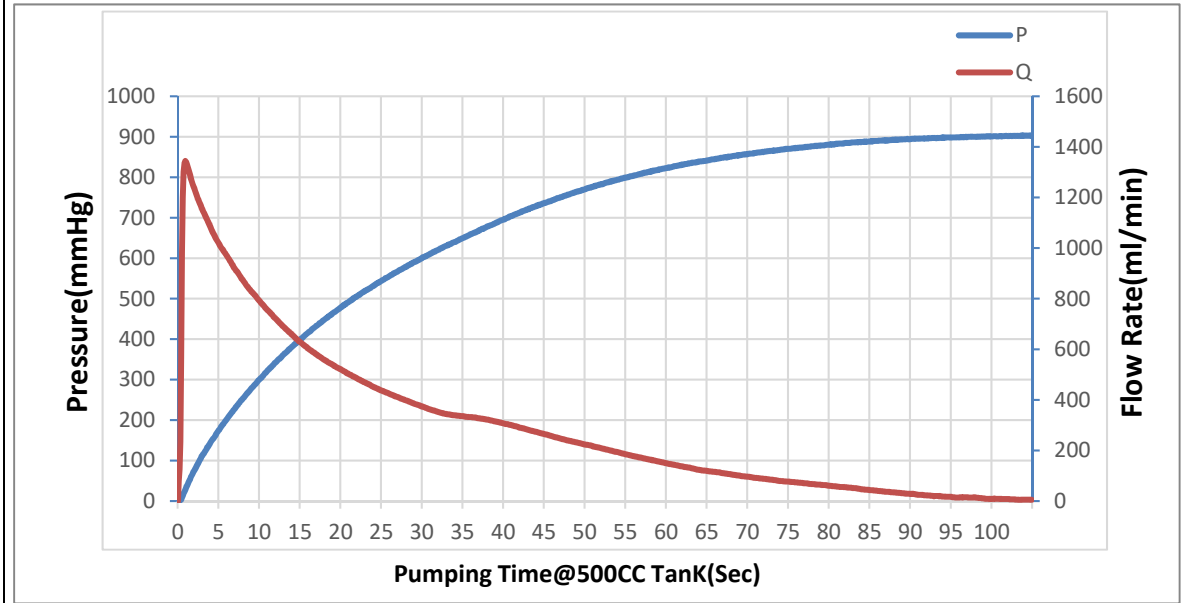
# KPM20B-3B Mini Air Pump

## Product Dimension



Unit: mm

## Product Performance



Electrical Properties		Physical Properties		Pneumatic Properties	
Rated Voltage	3.0VDC	Noise	<70dB (A)	Free Flow	>1300ml/min
Max Current	<430mA	RatedLife	30000times	Pressure Range	0~400mmHg