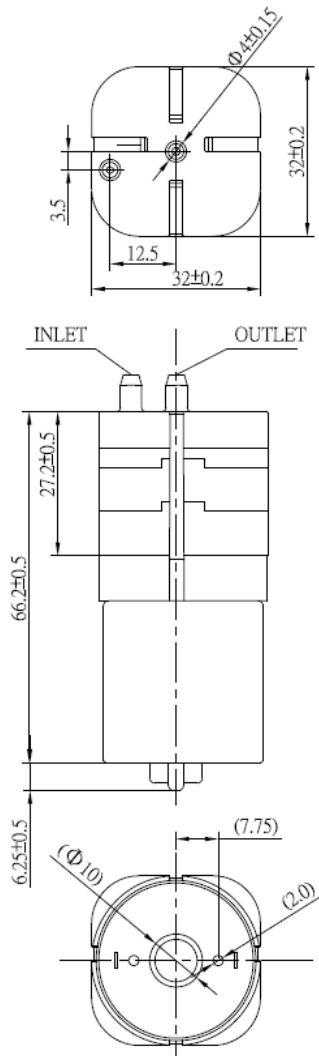


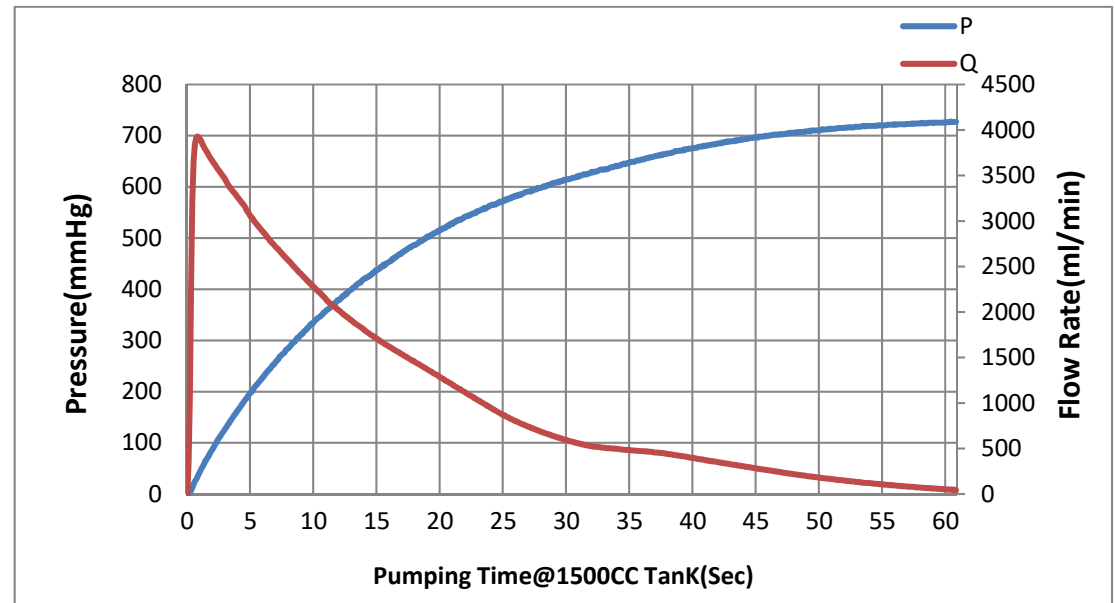
# KPM32E-12A02 Mini Air Pump

## Product Dimension



Unit: mm

## Product Performance



Electrical Properties		Physical Properties		Pneumatic Properties	
Rated Voltage	12.0VDC	Noise	<60dB (A)	Free Flow	>3800ml/min
Max Current	<550mA	RatedLife	50000times	Pressure Range	0~500mmHg