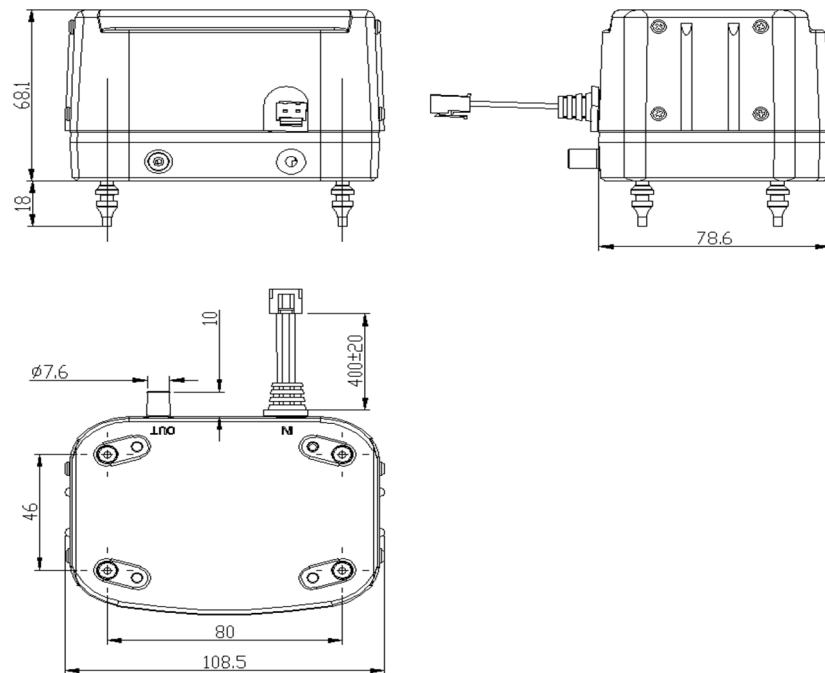


KPT38A-220G Mini Air Pump

Product Dimension



Unit: mm

Product Performance



Product Specification

Electrical Properties		Physical Properties		Pneumatic Properties	
Rated Voltage	220VAC, 50Hz	Noise	<50 dB (A)	Free Flow	>15000ml/min
Max. Current	<100 mA	Rated Life	4300 Hr	Min. Pressure	259 mmHg

*Remark: The actual performances would vary due to the test conditions and the environment of users.