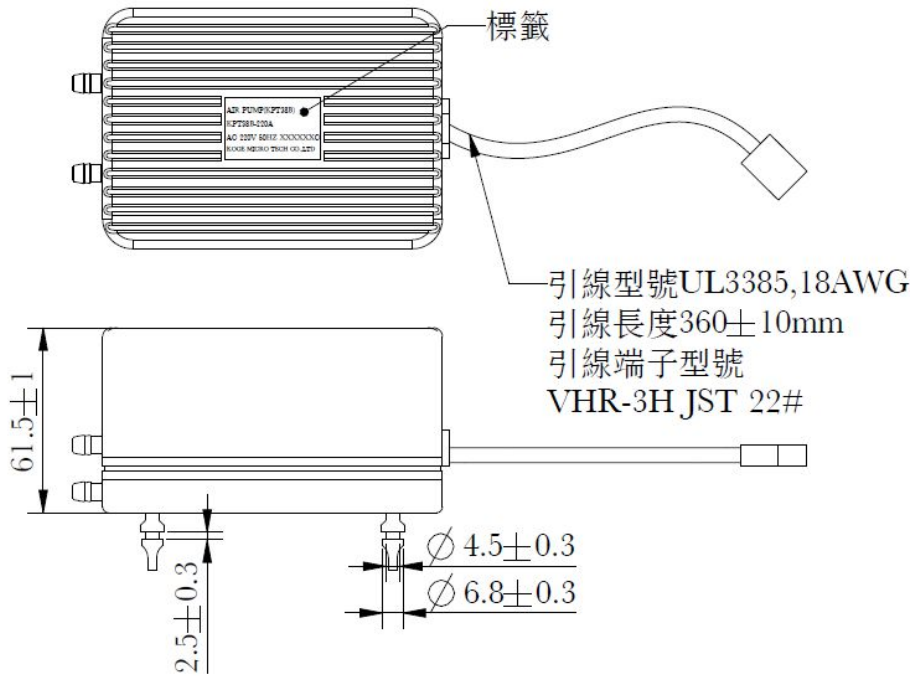


KPT38B-220A

Product Dimension

Product Performance



Product Specification

Electrical Properties		Physical Properties		Pneumatic Properties	
Rated Voltage	220 VAC 60Hz	Noise	<48dB (A)	Free Flow	8L/min $\pm 13\%$
Max. Current	<32mA	Rated Life	3000Hr	Min. Pressure	135mmHg $\pm 13\%$

Unit: mm

*Remark: The actual performances would vary due to the test conditions and the environment of users.