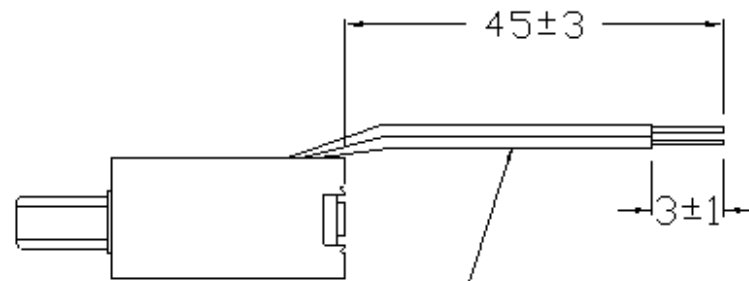
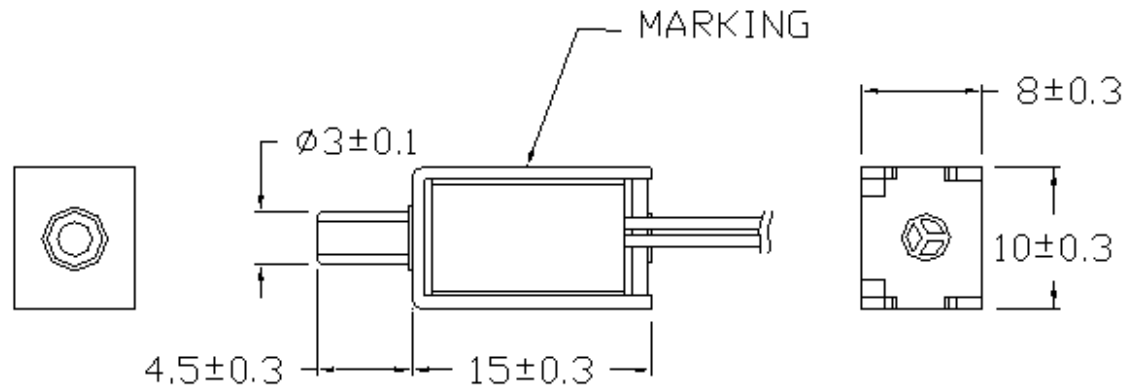


# KSV04A-3C Exhaust Valve

## Product Dimension



PVC WIRE 1095 28 AWG

Unit: mm

## Product Performance

Electrical Properties		Physical Properties	
Rated Voltage	3.0VDC	Type	Normal open
Max Current	$<150 \pm 10\%$ mA	Pressure Range	300mmHg
Resistance	$20 \pm 10\%$ $\Omega$	Exhaust Speed	$<4.0$ sec @ 300 mmHg to 10 mmHg with 50ml volume
Insulated grade	A	Rated Life	30000 times
		Leakage	$<3$ mmHg/min