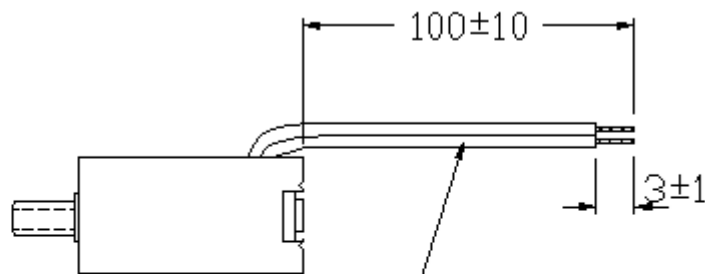
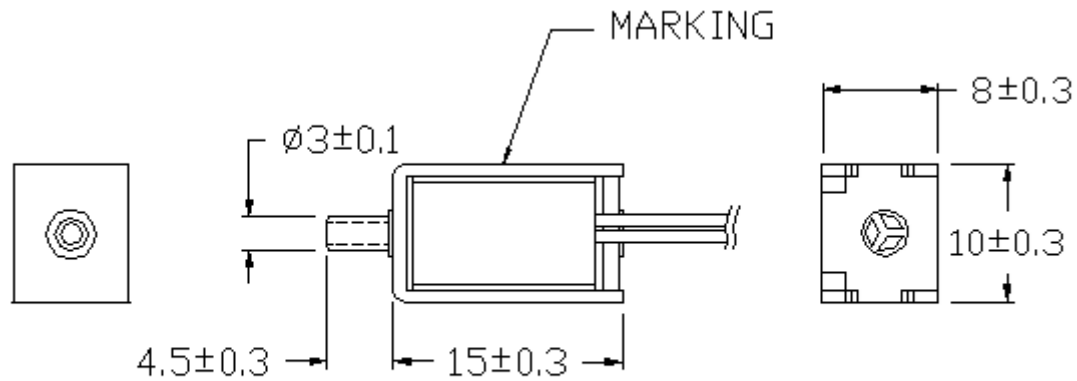


KSV04A-6D2 Exhaust Valve

Product Dimension



PVC WIRE 1095 28AWG BLACK

Unit: mm

Product Performance

Electrical Properties		Physical Properties	
Rated Voltage	6.0VDC	Type	Normal open
Max Current	60~70mA	Pressure Range	300mmHg
Resistance	90~100Ω	Exhaust Speed	<4.0sec@300 mmHg to 15 mmHg with 100ml volume
Insulated grade	A	Rated Life	30000 times
		Leakage	<2mmHg/min