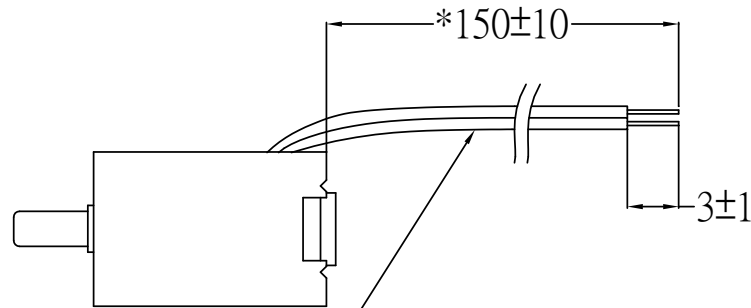
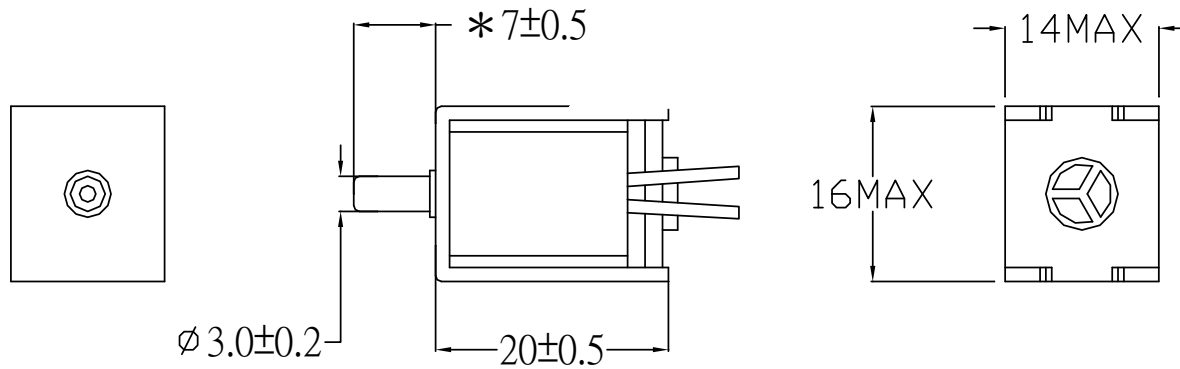


KSV05B-6C Solenoid Valve

Product Dimension



PVC WIRE 1095 28 AWG, BLACK COLOR

Unit: mm

Product Performance

Electrical Properties		Physical Properties	
Rated Voltage	6.0VDC	Type	Normal open
Max Current	<60mA	Pressure Range	300mmHg
Resistance	$100 \pm 10\% \Omega$	Exhaust Speed	<6.0sec@300 mmHg to 10 mmHg with 500ml volume
Insulated grade	A	Rated Life	30000 times
		Leakage	<3mmHg/min