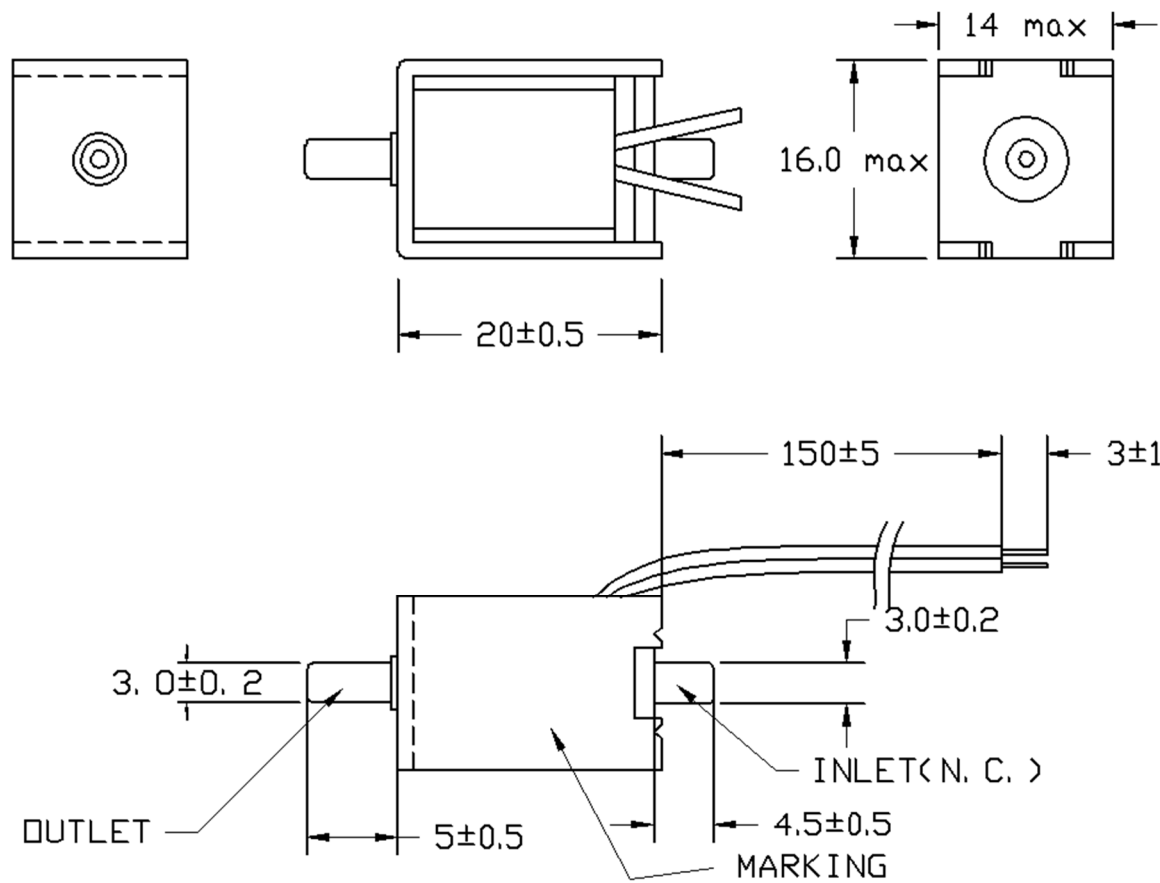


KSV2WA-32K01 Solenoid Valve

Product Dimension



Unit: mm

Product Performance

Electrical Properties		Physical Properties	
Rated Voltage	32.0VDC	Type	Normal closed
Max Current	<375mA	Pressure Range	300mmHg
Resistance	16 ± 10% Ω	Exhaust Speed	<4.0sec@300 mmHg to 15 mmHg with 500ml volume
Insulated grade	A	Rated Life	30000 times
		Leakage	<5mmHg/min