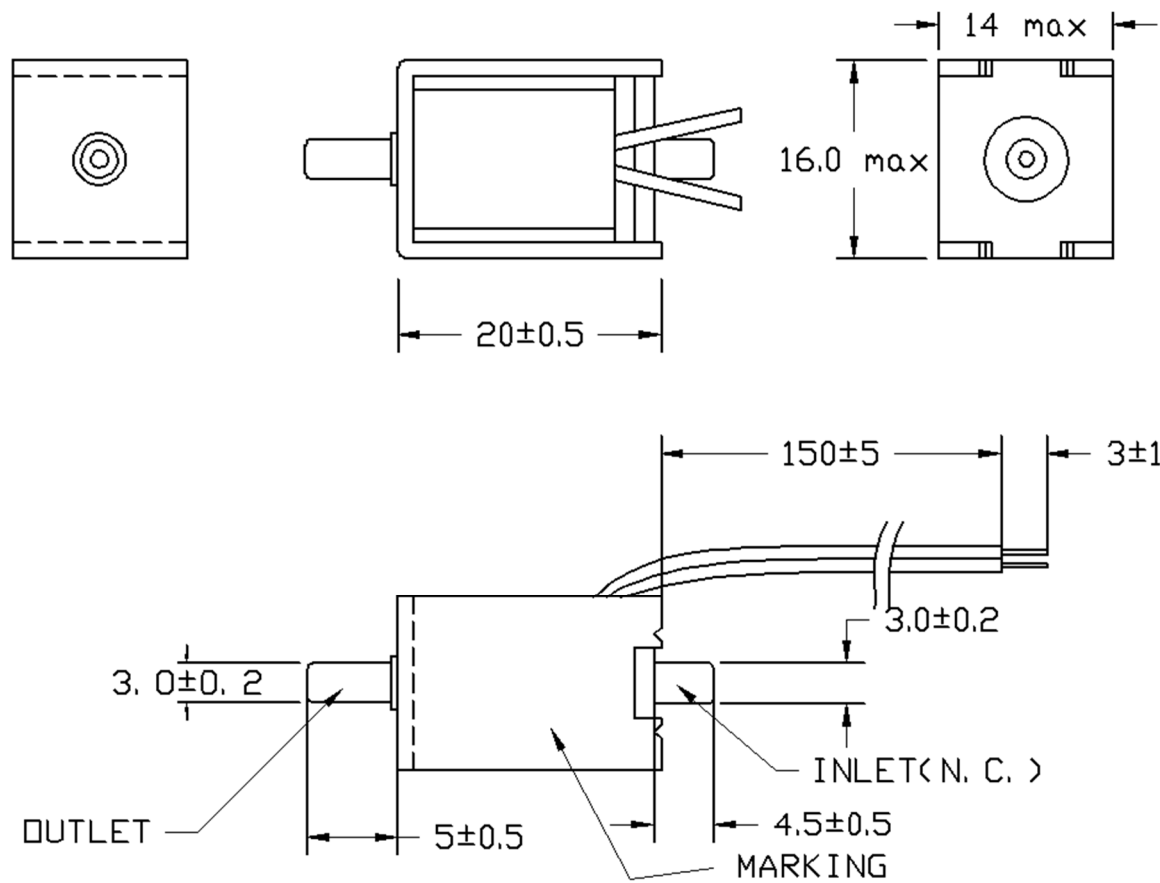


KSV2WA-6D Solenoid Valve

Product Dimension



Unit: mm

Product Performance

Electrical Properties		Physical Properties	
Rated Voltage	6.0VDC	Type	Normal closed
Max Current	<375mA	Pressure Range	300mmHg
Resistance	$16 \pm 10\% \Omega$	Exhaust Speed	<4.0sec@300 mmHg to 15 mmHg with 500ml volume
Insulated grade	A	Rated Life	30000 times
		Leakage	<5mmHg/min