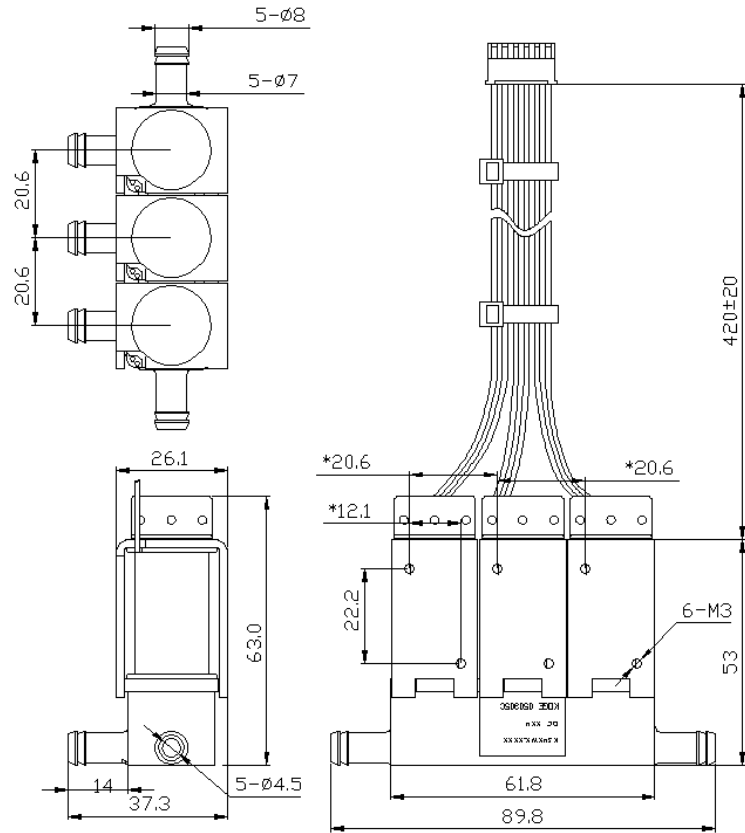


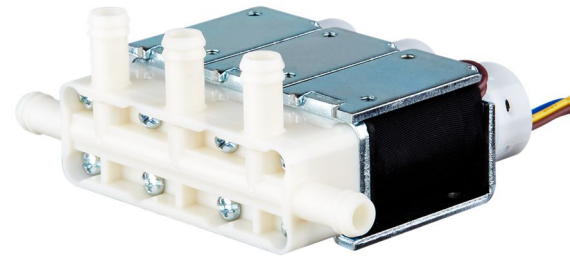
KSV8WA-12AF Mini Solenoid Valve

Product Dimension



Unit: mm

Product photo and application



Applications:

Medical device

Laboratory

Environmental solutions

Others

Product Specification

Electrical Properties		Physical Properties		Pneumatic Properties	
Rated Voltage	12.0 VDC	Leakage	<15 mmHg/min	Max. Pressure	450 mmHg
Max Current	<675 mA	Rated Life	500000cycles @ on 0.5s,off 5s	Type	Normal Close
Exhaust Speed	<4.0sec		@450 mmHg to 20mmHg with 1500ml volume		

*Remark: The actual performances would vary based on the test conditions and the environment of users.